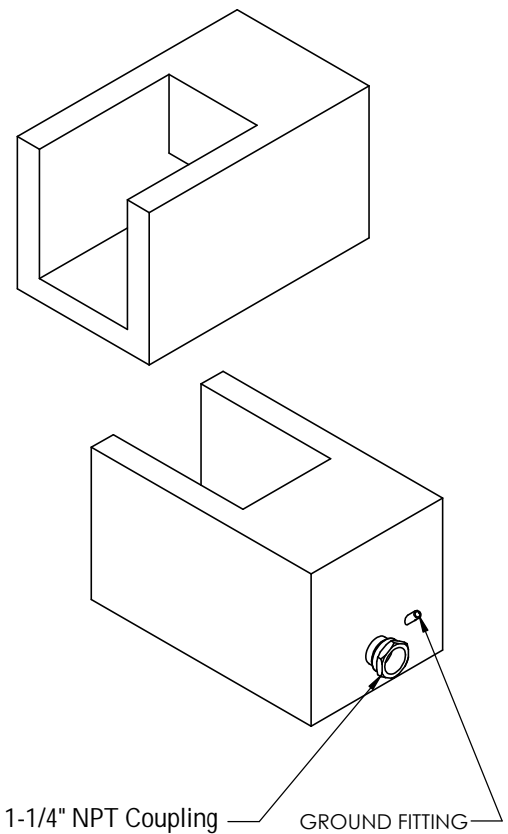
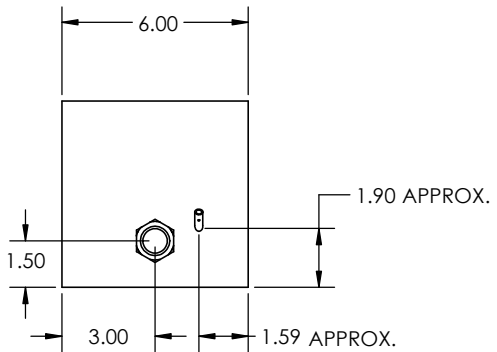
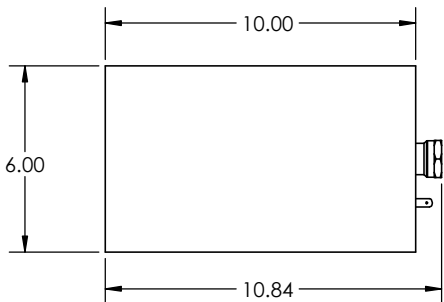
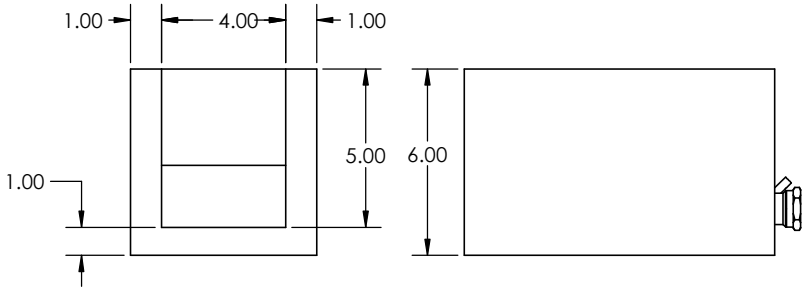
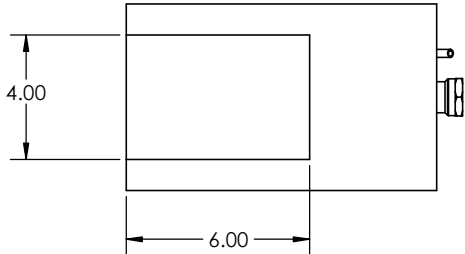


4

3

2

1



PROPRIETARY AND CONFIDENTIAL
 THE INFORMATION CONTAINED IN THIS DRAWING IS THE SOLE PROPERTY OF GRAND EFFECTS INC. ANY REPRODUCTION IN PART OR AS A WHOLE WITHOUT THE WRITTEN PERMISSION OF GRAND EFFECTS INC IS STRICTLY PROHIBITED.

		UNLESS OTHERWISE SPECIFIED:		NAME	DATE	GRAND EFFECTS INC	
		DIMENSIONS ARE IN INCHES		DRAWN	AGG	12/7/16	TITLE: SMALL DOUBLE WALL SCUPPER, COPPER, 6 X 6 X 10
		TOLERANCES:		CHECKED			
		FRACTIONAL ±		ENG APPR.			
		ANGULAR: MACH ± BEND ±		MFG APPR.			
		TWO PLACE DECIMAL ±		Q.A.			SIZE
		THREE PLACE DECIMAL ±		COMMENTS:			B
		INTERPRET GEOMETRIC TOLERANCING PER:					DWG. NO.
		MATERIAL					DWCS6
		COPPER					REV
		FINISH					A
		HAMMERED					SCALE: 1:4
NEXT ASSY	USED ON	APPLICATION		DO NOT SCALE DRAWING			WEIGHT:
							SHEET 1 OF 1

4

3

2

1