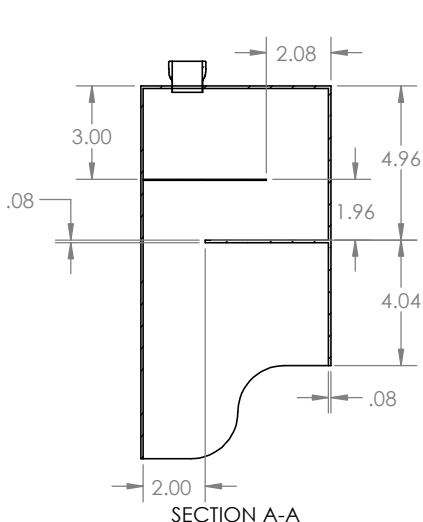


4

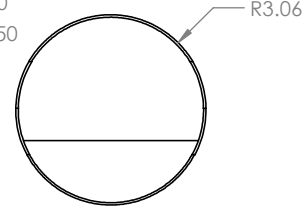
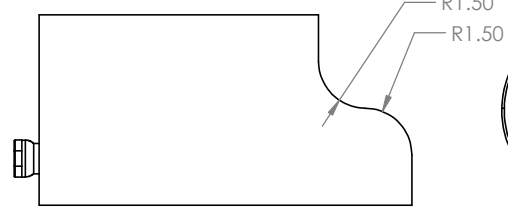
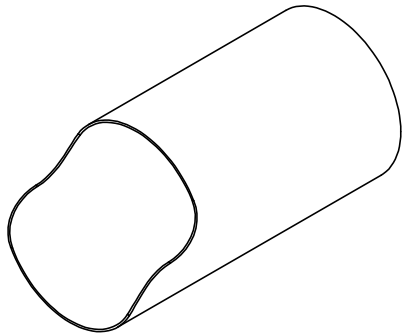
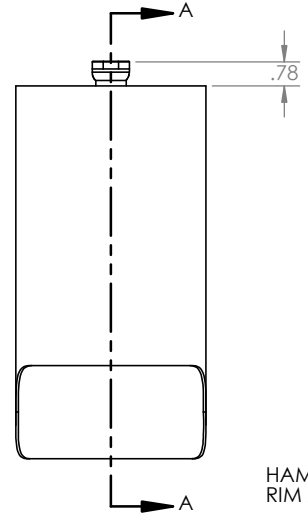
3

2

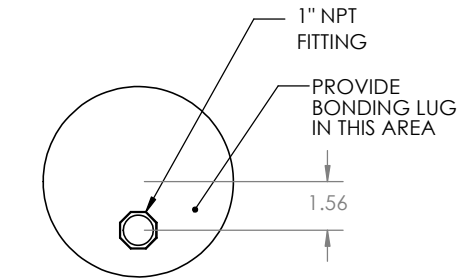
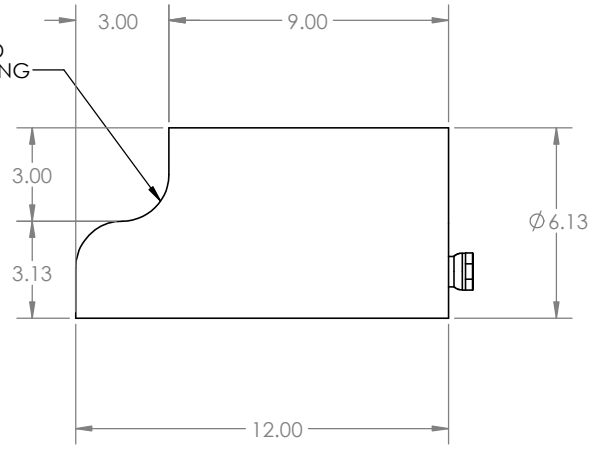
1



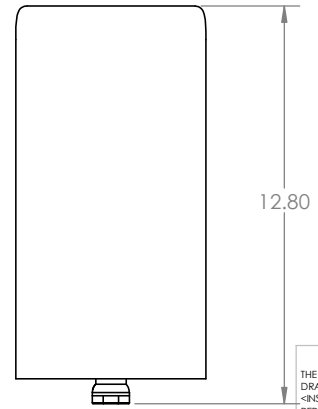
SECTION A-A



HAMMERED RAISED RIM ALONG OPENING



1" NPT FITTING  
PROVIDE BONDING LUG IN THIS AREA



**PROPRIETARY AND CONFIDENTIAL**  
 THE INFORMATION CONTAINED IN THIS DRAWING IS THE SOLE PROPERTY OF <INSERT COMPANY NAME HERE>. ANY REPRODUCTION IN PART OR AS A WHOLE WITHOUT THE WRITTEN PERMISSION OF <INSERT COMPANY NAME HERE> IS PROHIBITED.

		UNLESS OTHERWISE SPECIFIED:		NAME	DATE	GRAND EFFECTS INC		
		DIMENSIONS ARE IN INCHES		DRAWN	AG	5/19/16	TITLE:	
		TOLERANCES:		CHECKED			6" BARREL SCUPPER	
		FRACTIONAL: ±		ENG APPR.				
		ANGULAR: MACH ± BEND ±		MFG APPR.				
		TWO PLACE DECIMAL ±		Q.A.				
		THREE PLACE DECIMAL ±		COMMENTS:				
		INTERPRET GEOMETRIC TOLERANCING PER:				SIZE	DWG. NO.	REV
		MATERIAL				<b>B</b>	BS6	A
		FINISH				SCALE: 1:4		WEIGHT:
		HAMMERED						SHEET 1 OF 1
NEXT ASSY	USED ON	APPLICATION		DO NOT SCALE DRAWING				

4

3

2

1