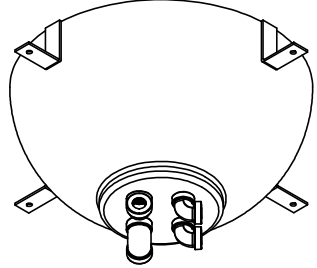
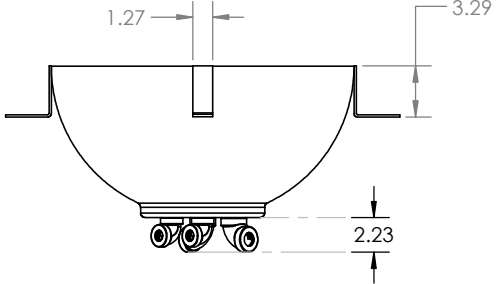
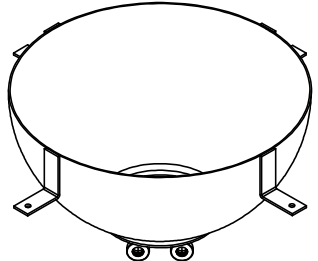
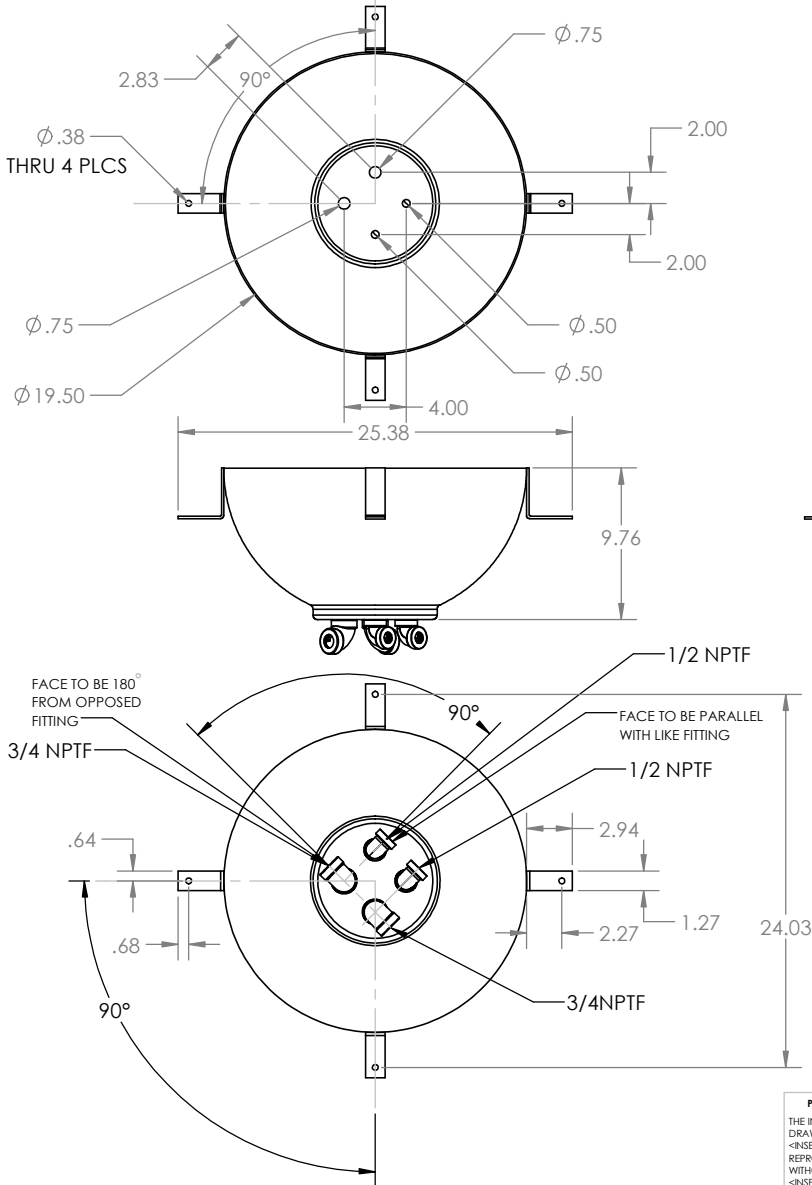


4

3

2

1



PROPRIETARY AND CONFIDENTIAL
 THE INFORMATION CONTAINED IN THIS DRAWING IS THE SOLE PROPERTY OF <INSERT COMPANY NAME HERE>. ANY REPRODUCTION IN PART OR AS A WHOLE WITHOUT THE WRITTEN PERMISSION OF <INSERT COMPANY NAME HERE> IS PROHIBITED.

		UNLESS OTHERWISE SPECIFIED:		NAME	DATE	GRAND EFFECTS, INC	
		DIMENSIONS ARE IN INCHES		DRAWN	AGG	6/7/16	TITLE:
		TOLERANCES:		CHECKED			360 FIRE WATER INNER BOWL
		FRACTIONAL ±		ENG APPR.			
		ANGULAR: MACH ± BEND ±		MFG APPR.			
		TWO PLACE DECIMAL ±		Q.A.			
		THREE PLACE DECIMAL ±		COMMENTS:			
		INTERPRET GEOMETRIC TOLERANCING PER:					
		MATERIAL					SIZE DWG. NO. REV
		ALUMINUM					B GEFBIN360 A
		FINISH					SCALE: 1:8 WEIGHT: SHEET 1 OF 1
		BLACK POWDERCOAT					
NEXT ASSY		USED ON					
APPLICATION		DO NOT SCALE DRAWING					

4

3

2

1

B

B

A

A