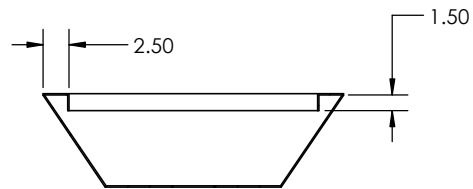
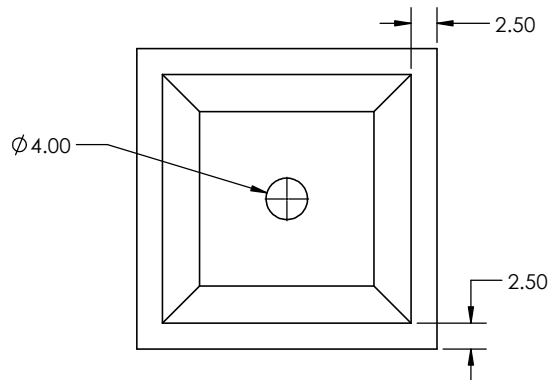


4

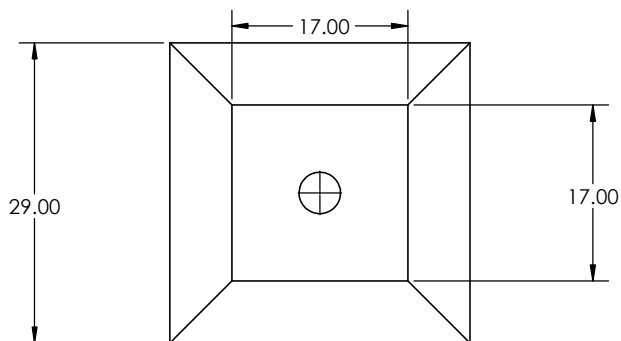
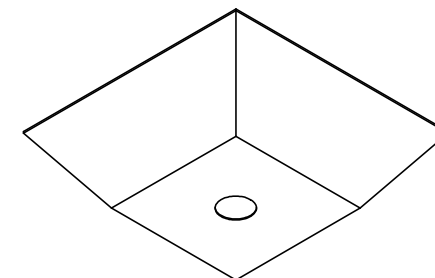
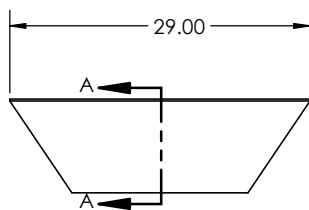
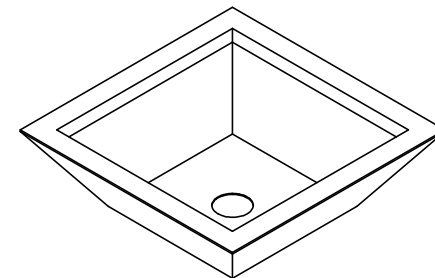
3

2

1



SECTION A-A
SCALE 1 : 12



PROPRIETARY AND CONFIDENTIAL
 THE INFORMATION CONTAINED IN THIS DRAWING IS THE SOLE PROPERTY OF <INSERT COMPANY NAME HERE>. ANY REPRODUCTION IN PART OR AS A WHOLE WITHOUT THE WRITTEN PERMISSION OF <INSERT COMPANY NAME HERE> IS PROHIBITED.

		UNLESS OTHERWISE SPECIFIED:		NAME	DATE	GRAND EFFECTS INC	
		DIMENSIONS ARE IN INCHES		DRAWN	AGG	11/29/16	TITLE: CORINTHIAN 29" COPPER FIRE BOWL
		TOLERANCES:		CHECKED			
		FRACTIONAL ±		ENG APPR.			
		ANGULAR: MACH ± BEND ±		MFG APPR.			
		TWO PLACE DECIMAL ±		Q.A.			SIZE B
		THREE PLACE DECIMAL ±		COMMENTS:		DWG. NO. FBCOP29COR	
		INTERPRET GEOMETRIC TOLERANCING PER:				REV A	
		MATERIAL				SCALE: 1:12	
		COPPER				WEIGHT: 30 LBS	
NEXT ASSY		USED ON				SHEET 1 OF 1	
APPLICATION		FINISH					
		HAMMERED					
		DO NOT SCALE DRAWING					

4

3

2

1

B

B

A

A