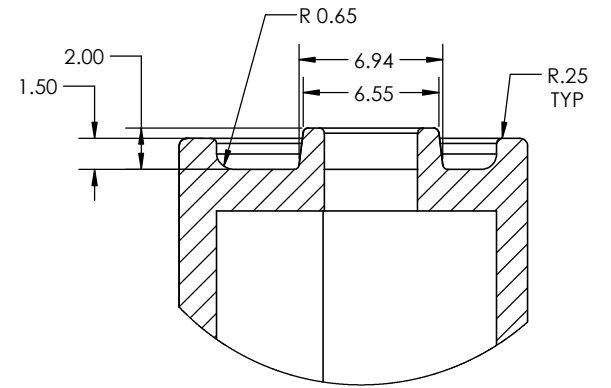
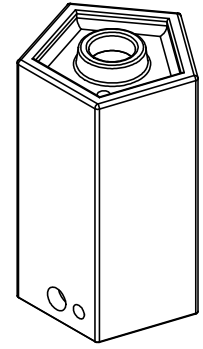
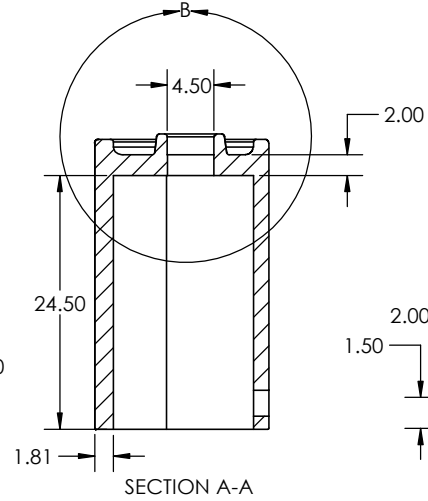
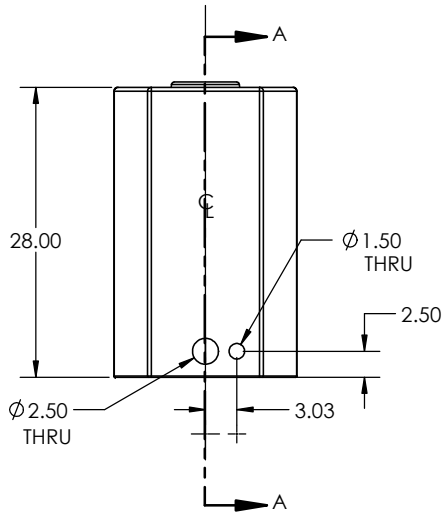
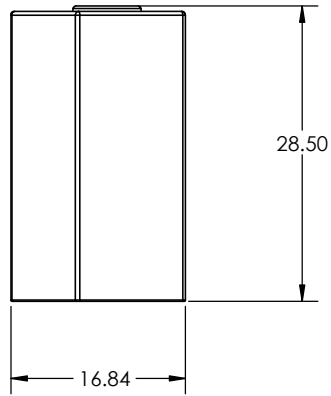
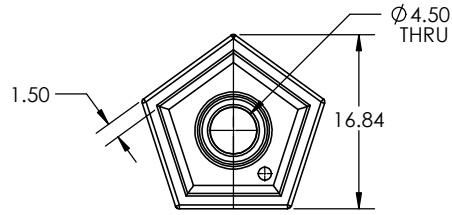


4

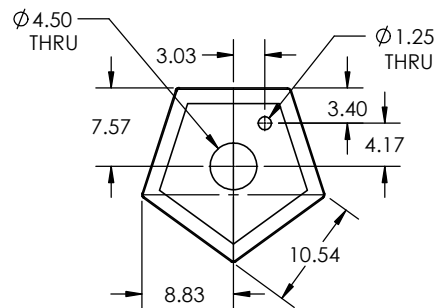
3

2

1



DETAIL B
SCALE 1 : 6



PROPRIETARY AND CONFIDENTIAL
 THE INFORMATION CONTAINED IN THIS DRAWING IS THE SOLE PROPERTY OF GRAND EFFECTS INC. ANY REPRODUCTION IN PART OR AS A WHOLE WITHOUT THE WRITTEN PERMISSION OF GRAND EFFECTS INC IS PROHIBITED.

		UNLESS OTHERWISE SPECIFIED:		NAME	DATE	GRAND EFFECTS INC 23121 ARROYO VISTA SUITE B, RANCHO SANTA MARGARITA, CA 92688 TITLE: FIRE WATER COLUMN, 28	
		DIMENSIONS ARE IN INCHES		DRAWN	AGG		4-16-17
		TOLERANCES:		CHECKED			
		FRACTIONAL: ± 1/32"		ENG APPR.			
		ANGULAR: ± 2 DEGREES		MFG APPR.			
		TWO PLACE DECIMAL #0.03125		Q.A.			
		INTERPRET GEOMETRIC TOLERANCING PER: N/A		COMMENTS:			
		MATERIAL		GFRG			
NEXT ASSY	USED ON	FINISH		ROUGH TEXTURE WITH STAIN, BLACK		SIZE B DWG. NO. FWCCON28-BLK REV A	
APPLICATION		DO NOT SCALE DRAWING		SCALE: 1:12 WEIGHT:		SHEET 1 OF 1	

4

3

2

1

B

B

A

A