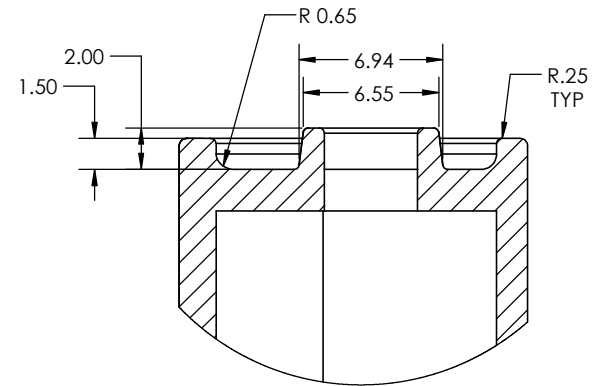
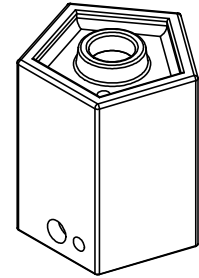
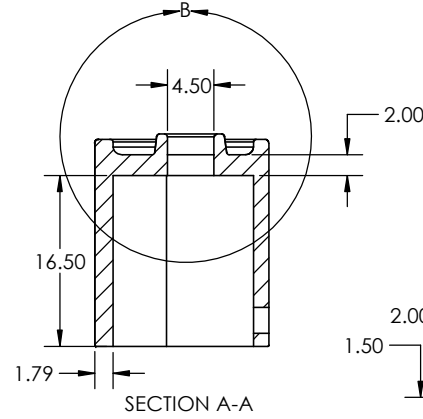
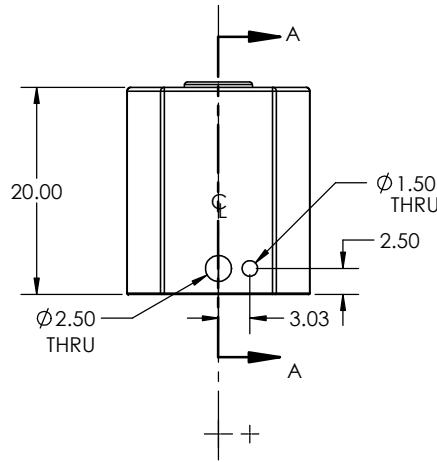
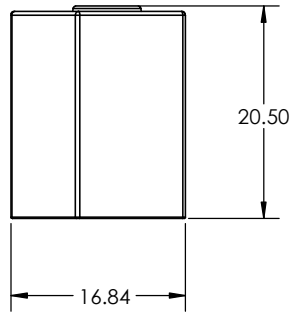
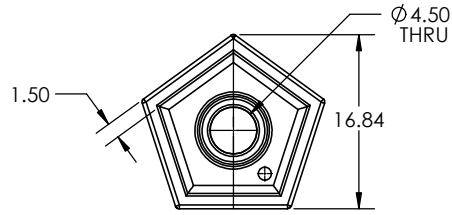


4

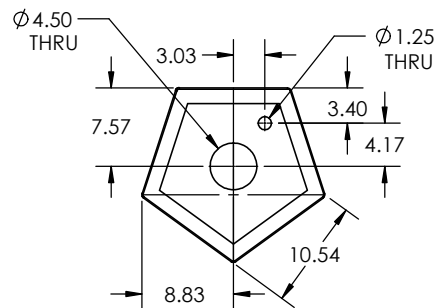
3

2

1



DETAIL B
SCALE 1 : 6



PROPRIETARY AND CONFIDENTIAL
THE INFORMATION CONTAINED IN THIS DRAWING IS THE SOLE PROPERTY OF GRAND EFFECTS INC. ANY REPRODUCTION IN PART OR AS A WHOLE WITHOUT THE WRITTEN PERMISSION OF GRAND EFFECTS INC IS PROHIBITED.

		UNLESS OTHERWISE SPECIFIED:		NAME	DATE	GRAND EFFECTS INC 23121 ARROYO VISTA SUITE B, RANCHO SANTA MARGARITA, CA 92688 TITLE: FIRE WATER COLUMN, 20	
		DIMENSIONS ARE IN INCHES TOLERANCES: FRACTIONAL: ± 1/32" ANGULAR: ± 2 DEGREES TWO PLACE DECIMAL: ± 0.03125		DRAWN	AGG		4-16-17
		INTERPRET GEOMETRIC TOLERANCING PER: N/A		CHECKED			
		MATERIAL		ENG APPR.			
		MATERIAL		MFG APPR.			
		FINISH		Q.A.			
NEXT ASSY		USED ON		COMMENTS:			
APPLICATION		DO NOT SCALE DRAWING					
				SIZE	DWG. NO.	REV	
				B	FWCCON20-BLK	A	
				SCALE: 1:12	WEIGHT:	SHEET 1 OF 1	

4

3

2

1

B

B

A

A